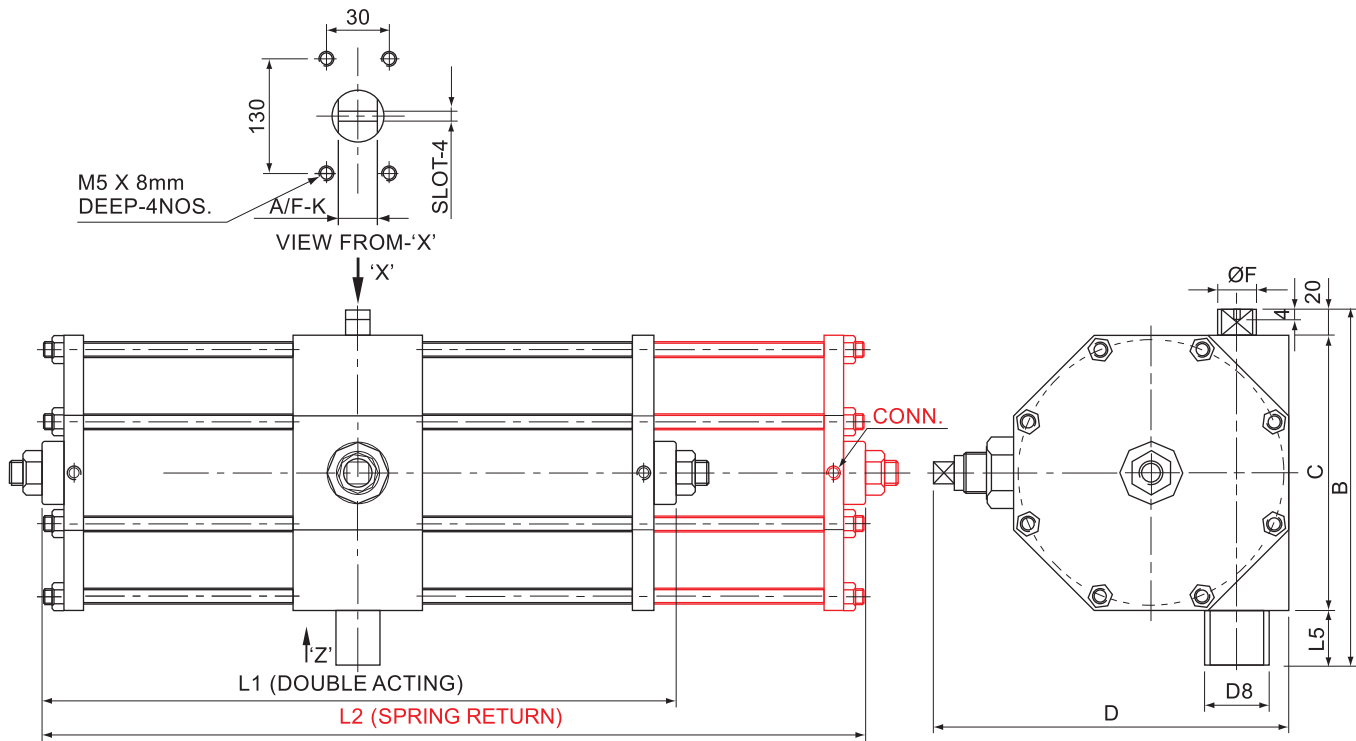
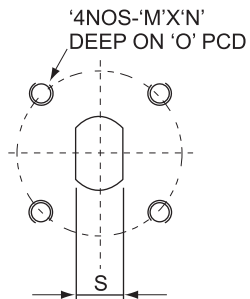


**DIMENSIONAL DETAILS**

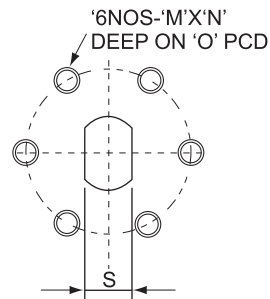


MODEL	L1	L2	B	C	D	ØF	D8	A/F-K	CONN.
DRC250	890	1220	360	290	365	35	36.2	25	1/2"NPT
DRC300	890	1390	412	342	410	35	48.2	25	3/4"NPT
DRC400	892	1390	494	424	465	45	48.2	35	3/4"NPT
DRC500	1050	1750	630	560	650	55	60.2	45	1"NPT

**SHAFT DETAIL DOUBLE D**



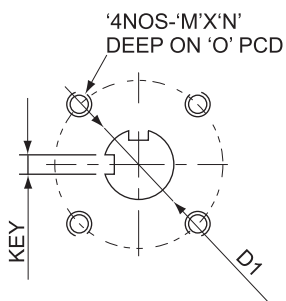
VIEW FROM-'Z'  
FOR 250 AND 300



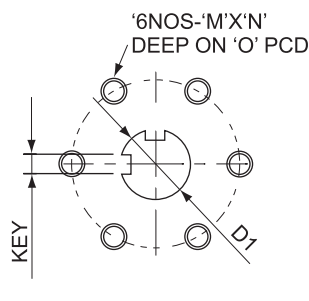
VIEW FROM-'Z'  
FOR 400 AND 500

MODEL	S	L5	M	N	O
DRC250	27	48	M16	30	125
DRC300	36	64	M16	30	125
DRC400	36	64	M16	30	140
DRC500	46	82	M20	30	140

**SHAFT DETAIL MALE OPTION-M**



VIEW FROM-'Z'  
FOR 250 AND 300



VIEW FROM-'Z'  
FOR 400 TO 500

MODEL	D1	KEY	L5	M	N	O
DRC250	63.5	16X16X80	100	M16	30	125
DRC300	63.5	16X16X80	100	M16	30	125
DRC400	95.25	22X22X110	125	M16	30	140
DRC500	127	25X25X125	150	M20	30	140