

DNLF1 - Explosion Proof SPDT Mechanical Switch



NEMA 4,
4X, 7 & 9



IP67, **ATEX**
EC94/9

FEATURES

- Explosion proof to I, IIA, IIB, and IIC
- Enclosure Certified by UL to UL 1203 and UL 508, File No. E246615
- Switch Box conforms to Ex D IIC, T6 highest level of safety
- ATEX Certified by CESI, Italy, Certification No. CESI 05 ATEX017
- Aluminum die cast enclosure, powder coated for superior corrosion resistance
- Weather proof enclosure to IP67
- Polycarbonate Dome, Shatterproof
- Red and Yellow Indicator
- Color coded cams easy to identify, and easy to set
- Serrated cams locked together ensures adjusted settings secured against any vibration
- Special circuit board eliminates internal wiring
- Circuit board laminated for complete corrosion protection
- Solenoid termination inside the switch box is standard
- Two conduit entries provided as standard
- Conduit entry options: ½" NPT, ¾" NPT, M20 X 1.5
- Complies to Namur mounting standard
- Temperature range 4°F to 146°F
- Bracket available as option



ORDERING OPTIONS

| Series | Switch | Qty Switches | Conduit Entry | Color | Bracket | Certificate |
|--------|-----------|---------------|--|---------------------------------|---------|--|
| DNLF | | 1 2 | 4R ½" NPT 6R ¾" NPT 3M M20X1.5 | B Black Y Yellow | | U CU _L , UL _L C CE A ATEX CM CMRI CC CMRI CCDE |
| CODE | MAKE | MODEL | RATING | Refer to Bracket Selection Page | | |
| 1A | Honeywell | V5C010EN3D | 10Amp 120 or 250 VAC, 220 VDC 50Hz/60Hz, NO/NC | | | |
| 11A | Honeywell | V7 1C17E9 201 | 15Amp 120 or 250 VAC, 220 VDC 50Hz/60Hz, NO/NC | | | |
| 1B | Cherry | D43 CQ1 RA | 5Amp 125 or 250 VAC, 220 VDC NO/NC | | | |
| 11B | Cherry | D45 CQ1 RA | 15Amp 125 or 250 VAC, 220 VDC NO/NC | | | |

ORDERING EXAMPLE

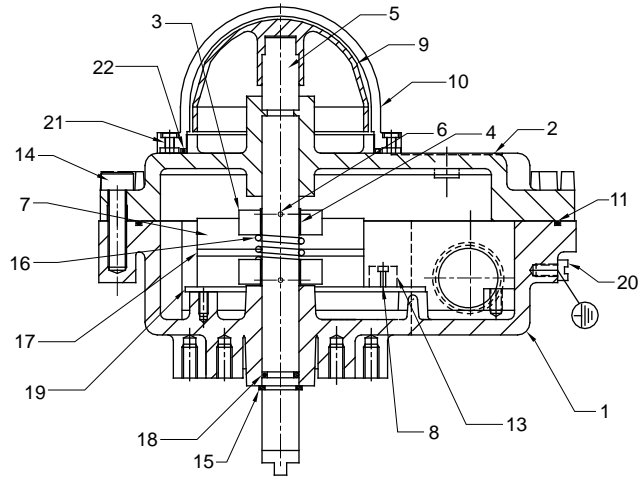
- DNLF-1A2-6R-B-BKS1-U
- Explosion proof to I, IIA and IIB and Weather proof box provided with Honeywell 15 Amps switches 2 nos, each with one NO and one NC, ¾" NPT cable gland entry. With Stainless Steel bracket, 80X30 tapping, 20mm pinion height, UL approved.

DNLF1 - Explosion Proof SPDT Mechanical Switch

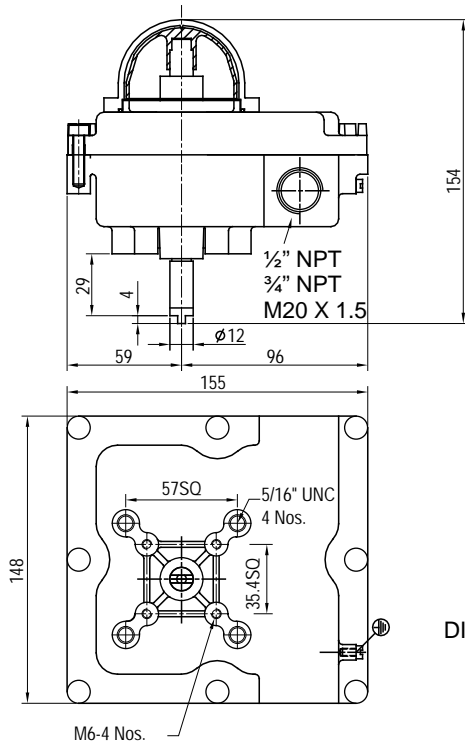
MATERIAL OF CONSTRUCTION

| 22 | O RING | 1 | NBR |
|-------|-----------------------|------|---------------------|
| 21 | PHILIPS HEAD SCREW | 4 | STAINLESS STEEL |
| 20 | SCREW FOR EARTHING | 2 | STAINLESS STEEL |
| 19 | CIRCUIT BOARD | 1 | - |
| 18 | 'O' RING | 2 | NBR |
| 17 | PAD | 1 | POLYAMIDE |
| 16 | SPRING | 1 | STAINLESS STEEL |
| 15 | 'E' TYPE CIRCLIP | 1 | SPRING STEEL |
| 14 | SCREW FOR COVER | 8 | STAINLESS STEEL |
| 13 | SCREW FOR CONN. STRIP | 2 | STAINLESS STEEL |
| 12 | SCREW FOR MICROSWITCH | 2 | STAINLESS STEEL |
| 11 | GASKET | 1 | NBR |
| 10 | INDICATOR COVER | 1 | POLYCARBONATE |
| 9 | INDICATOR | 1 | ABS PLASTIC |
| 8 | CONNECTOR STRIP-6WAY | 1 | POLYAMIDE |
| 7 | MICROSWITCH (SPDT) | 2 | HONEYWELL/CHERRY |
| 6 | SPRING DOWEL | 2 | SPRING STEEL |
| 5 | SHAFT | 1 | STAINLESS STEEL |
| 4 | CAM-LOCK | 2 | POM |
| 3 | CAM | 2 | POLYAMIDE |
| 2 | COVER | 1 | ALUMINUM ALLOY LM-6 |
| 1 | HOUSING | 1 | ALUMINUM ALLOY LM-6 |
| S.NO. | DESCRIPTION | QTY. | MATERIAL |

CROSS SECTION



DIMENSION DETAILS



DIMENSION 'X' OPTIONS: 1/2" NPT
3/4" NPT
M20 X 1.5

WIRING DIAGRAM

