

DNLF2 - Explosion Proof Cylindrical Prox Switch

With Option for Intrinsically Safe Switch



FEATURES

- Intrinsically safe
- Cylindrical inductive proximity sensors (Eexia)
- Aluminum die cast enclosure, powder coated for superior corrosion resistance
- Weather proof enclosure to IP67
- Switch box conforms to Ex d IIC, T6 highest level of safety
- Explosion proof to I, IIA, IIB , and IIC
- ATEX certified by CESI, Italy, Certification No. CESI 05 ATEX017
- ATEX as per EN 60079
- UL Certified, conforms to UL 1203 & UL 508, File No. 246615
- Polycarbonate Dome, Shatterproof
- Red and Yellow Indicator
- Color coded cams easy to identify, and easy to set
- Solenoid termination inside the switch box is standard
- Serrated cams locked together ensures adjusted settings secured against any vibration
- Two conduit entries provided as standard
- Conduit entry options ½" NPT, ¾" NPT, M20 X 1.5
- Temperature range 4°F to 146°F
- Bracket available as option



ORDERING OPTIONS

| Series | Switch | Qty Switches | Conduit Entry | | Color | | Bracket | Certificate |
|--------|--------|--------------|---------------|---------|-------|--------|---------------------------------|-------------|
| DNLF | | 1 | 4R | ½" NPT | B | Black | Refer to Bracket Selection Page | |
| | | 2 | 6R | ¾" NPT | Y | Yellow | | |
| | | | 3M | M20X1.5 | | | | |

| CODE | MAKE | MODEL | RATING | |
|------|-------|-----------------|--------------------------|----|
| 2A | P & F | NJ2 12 GMN | 8 VDC, NC | IS |
| 12A | P & F | NCB2 12GMN35 NO | 8V, 24V, 100 mA, NO | IS |
| 22A | P & F | NBN4 12GMN40 Z0 | 6V, 24V, 100 mA, NO | |
| 32A | P & F | NCN4 12GMN35 NO | 8V, 24V, 100mA, NC | |
| 42A | P & F | NJ4 12GM50 WO | 220VAC 200mA 50/60Hz, NC | |
| 2C | lfm | NF 5003 | 8 VDC, NC | IS |
| 12C | lfm | IF 5718 | 24VED, 150mA, NO/NC | |

| | |
|----|-----------------------------------|
| U | CU _L , UL _L |
| C | CE |
| A | ATEX |
| CM | CMRI |
| CC | CMRI CCOE |

ORDERING EXAMPLE

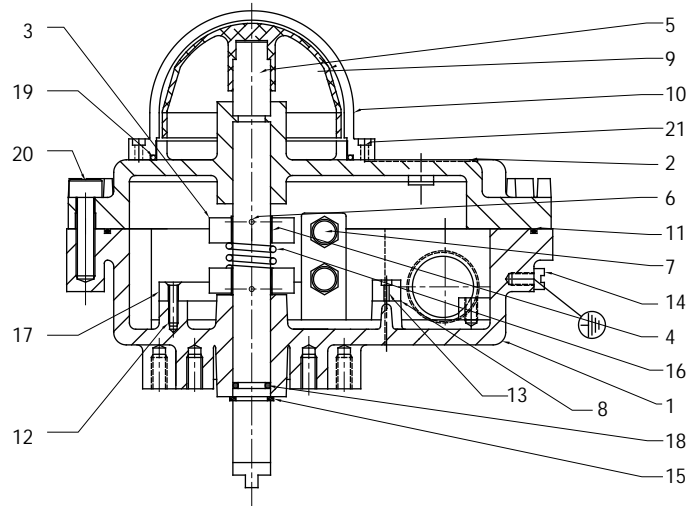
- DNLF-12A2-4R-BU
- **UL** approved, Explosion proof box with (2) **PEPPERL +FUCHS** switches, DC output, ½" NPT conduit entry, black enclosure.

DNLF2 - Explosion Proof Cylindrical Prox Switch

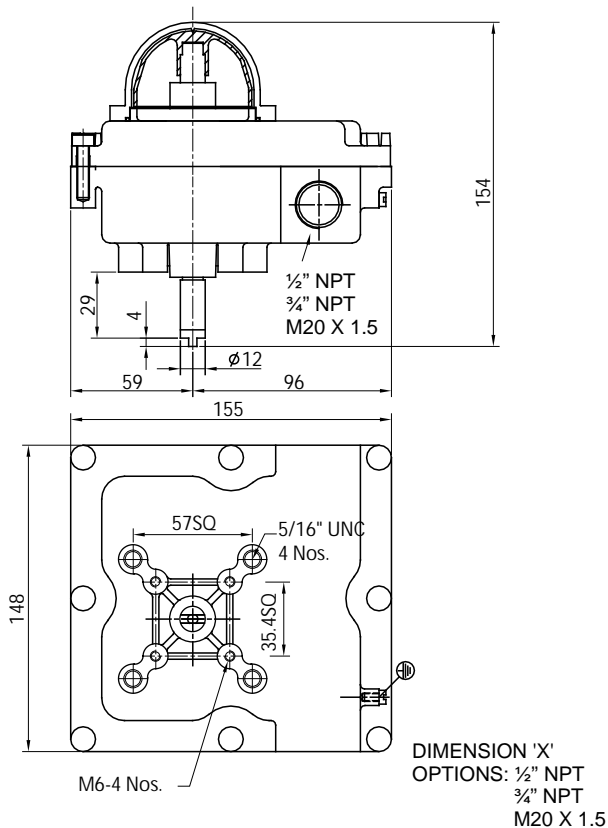
MATERIAL OF CONSTRUCTION

| 21 | PHILIPS HEAD SCREW | 4 | STAINLESS STEEL |
|-------|-----------------------|------|---------------------|
| 20 | NON FALLING SCREW | 8 | STAINLESS STEEL |
| 19 | 'O' RING | 1 | NBR |
| 18 | 'O' RING | 2 | NBR |
| 17 | BRACKET | 1 | M.S |
| 16 | SPRING | 1 | STAINLESS STEEL |
| 15 | 'E' TYPE CIRCLIP | 1 | SPRING STEEL |
| 14 | SCREW FOR EARTHING | 2 | STAINLESS STEEL |
| 13 | SCREW FOR CONN. STRIP | 2 | STAINLESS STEEL |
| 12 | SCREW FOR BRACKET | 2 | STAINLESS STEEL |
| 11 | GASKET | 1 | NBR |
| 10 | INDICATOR COVER | 1 | POLYCARBONATE |
| 9 | INDICATOR | 1 | ABS PLASTIC |
| 8 | TERMINAL BLOCK-6 WAY | 1 | ----- |
| 7 | PROXIMITY SENSOR | 2 | P & F, ifm |
| 6 | SPRING DOWEL | 2 | SPRING STEEL |
| 5 | SHAFT | 1 | STAINLESS STEEL |
| 4 | CAM-LOCK | 2 | DELIRIN |
| 3 | CAM | 2 | POLYCARBONATE |
| 2 | COVER | 1 | ALUMINUM ALLOY LM-6 |
| 1 | HOUSING | 1 | ALUMINUM ALLOY LM-6 |
| S.NO. | DESCRIPTION | QTY. | MATERIAL |

CROSS SECTION

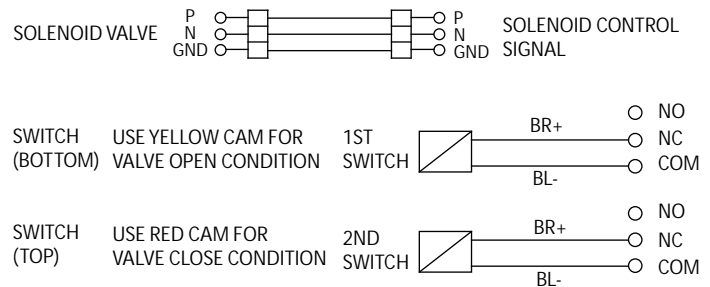


DIMENSION DETAILS



WIRING DIAGRAM

NAMUR



2 WIRE NO PROXIMITY

