

DNLF3 - Explosion Proof Flat Prox Switch

With Option for Intrinsically Safe Switch



EC94/9
ATEX, EEx ia

FEATURES

- Intrinsically safe
- Flat inductive proximity sensors (Eexia)
- Aluminum die cast enclosure, powder coated for superior corrosion resistance
- Weather proof enclosure to IP67
- Switch box conforms to Ex d IIC, T6 highest level of safety
- Explosion proof to I, IIA, IIB , and IIC
- ATEX certified by CESI, Italy, Certification No. CESI 05 ATEX017
- ATEX as per EN 60079
- UL Certified, conforms to UL 1203 & UL 508, File No. 246615
- Polycarbonate Dome, Shatterproof
- Red and Yellow Indicator
- Color coded cams easy to identify, and easy to set
- Solenoid termination inside the switch box is standard
- Serrated cams locked together ensures adjusted settings secured against any vibration
- Two conduit entries provided as standard
- Conduit entry options ½" NPT, ¾" NPT, M20 X 1.5
- Temperature range 4°F to 146°F
- Bracket available as option



ORDERING OPTIONS

Series	Switch	Qty Switches	Conduit Entry		Color		Bracket	Certificate										
DNLF		1	4R	½" NPT	B	Black	Refer to Bracket Selection Page	<table border="1"> <tr><td>U</td><td>CU_L, UL_L</td></tr> <tr><td>C</td><td>CE</td></tr> <tr><td>A</td><td>ATEX</td></tr> <tr><td>CM</td><td>CMRI</td></tr> <tr><td>CC</td><td>CMRI CCOE</td></tr> </table>	U	CU _L , UL _L	C	CE	A	ATEX	CM	CMRI	CC	CMRI CCOE
U	CU _L , UL _L																	
C	CE																	
A	ATEX																	
CM	CMRI																	
CC	CMRI CCOE																	
		2	6R	¾" NPT	Y	Yellow												
			3M	M20X1.5														
CODE	MAKE	MODEL	RATING															
3A	P & F	NJ2 V3N	8 VDC, 3mA, NC				IS											
13A	P & F	NBB3 V3 Z4	10-60VDC, 100mA, NO															
3C	lfm	IS 5026	24V, 200 mA, NO/NC															
13C	lfm	NS 5002	8 VDC, NO/NC				IS											
23C	lfm	IN 0073	24VDC, 150mA, NO/NC															

ORDERING EXAMPLE

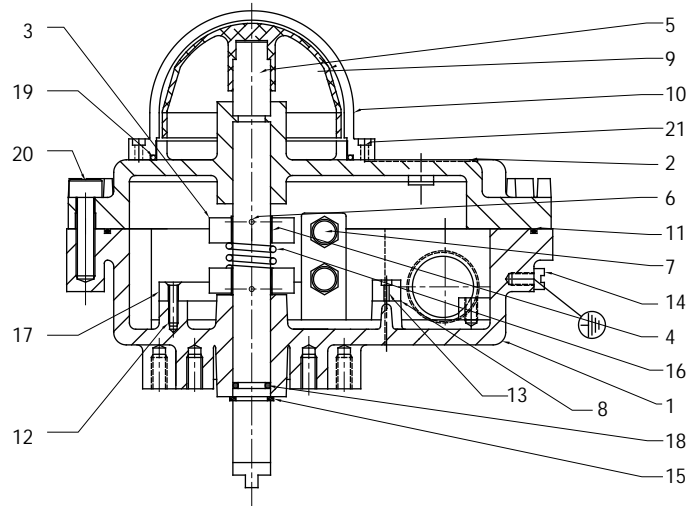
- DNLF-3A2-4R-BU
- **UL** approved, Explosion proof box with (2) **PEPPERL +FUCHS** switches, Intrinsically safe, ½" NPT conduit entry, black enclosure.

DNLF3 - Explosion Proof Flat Prox Switch

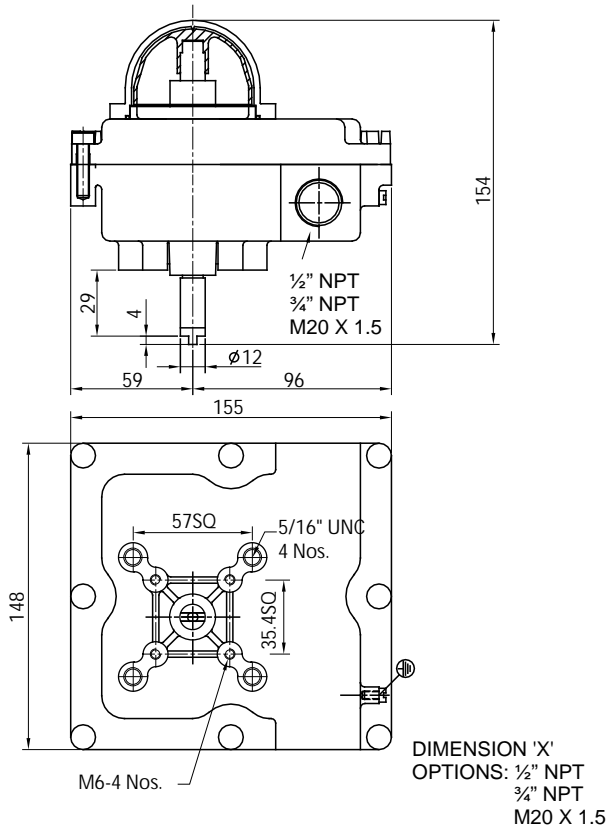
MATERIAL OF CONSTRUCTION

21	PHILIPS HEAD SCREW	4	STAINLESS STEEL
20	NON FALLING SCREW	8	STAINLESS STEEL
19	'O' RING	1	NBR
18	'O' RING	2	NBR
17	BRACKET	1	M.S
16	SPRING	1	STAINLESS STEEL
15	'E' TYPE CIRCLIP	1	SPRING STEEL
14	SCREW FOR EARTHING	2	STAINLESS STEEL
13	SCREW FOR CONN. STRIP	2	STAINLESS STEEL
12	SCREW FOR BRACKET	2	STAINLESS STEEL
11	GASKET	1	NBR
10	INDICATOR COVER	1	POLYCARBONATE
9	INDICATOR	1	ABS PLASTIC
8	TERMINAL BLOCK-6 WAY	1	-----
7	PROXIMITY SENSOR	2	P & F, ifm
6	SPRING DOWEL	2	SPRING STEEL
5	SHAFT	1	STAINLESS STEEL
4	CAM-LOCK	2	DELIRIN
3	CAM	2	POLYCARBONATE
2	COVER	1	ALUMINUM ALLOY LM-6
1	HOUSING	1	ALUMINUM ALLOY LM-6
S.NO.	DESCRIPTION	QTY.	MATERIAL

CROSS SECTION

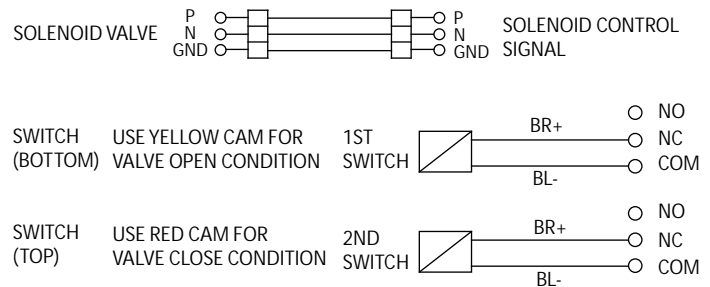


DIMENSION DETAILS



WIRING DIAGRAM

NAMUR



2 WIRE NO PROXIMITY

