

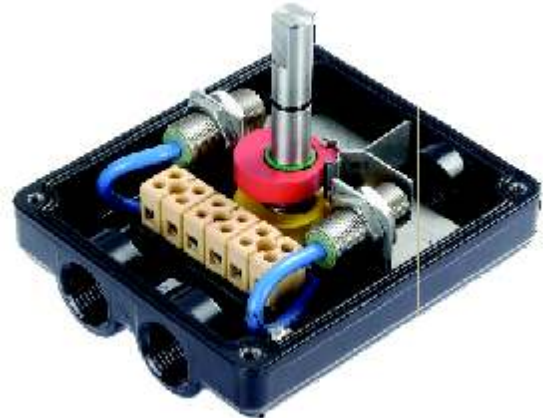
## DXLW2 - Weather Proof Cylindrical Prox Switch

With Option for Intrinsically Safe Switch



### FEATURES

- Intrinsically safe
- Cylindrical inductive proximity sensors (EExia)
- Aluminum die cast enclosure, powder coated for superior corrosion resistance
- Weather proof enclosure to IP67
- Switch box conforms to UL50S, UL File No. E249752
- Polycarbonate Dome, Shatterproof
- Red and Yellow Indicator
- Color coded cams easy to identify, and easy to set
- Solenoid termination inside the switch box is standard
- Serrated cams locked together ensures adjusted settings secured against any vibration
- Three conduit entries provided as standard
- Conduit entry options: ½" NPT, M20 X 1.5
- Complies to Namur mounting standard
- Temperature range 4°F to 146°F
- Bracket available as option



### ORDERING OPTIONS

Series	Switch	Qty Switches	Conduit Entry		Color		Bracket	Certificate
DXLW		1	4R	½" NPT	B	Black	U	CU <sub>L</sub> , UL <sub>L</sub>
		2	3M	M20X1.5	Y	Yellow	C	CE

Refer to Bracket Selection Page

CODE	MAKE	MODEL	RATING
2A	P & F	NJ2 12 GMN	8 VDC, NC
12A	P & F	NCB2 12GMN35 NO	8V, 24V, 100 mA, NO IS
22A	P & F	NBN4 12GMN40 Z0	6V-24V, 100 mA, N O IS
32A	P & F	NCN4 12GMN35 NO	8 VDC, NC
42A	P & F	NJ4 12GM50 WO	220VAC 200mA 50/60Hz, NC
2C	lfm	NF 5003	8 VDC, NC IS
12C	lfm	IF 5718	24VDC, 150mA, NO/NC

### ORDERING EXAMPLE

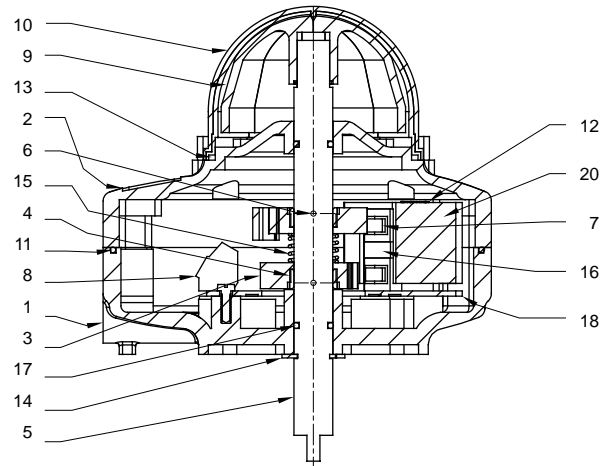
- DXLW-12A2-4R-B-BKS1 U
- **UL** approved, Weather proof box provided with (2) PEPPERL+FUCHS switches, DC output, each with one NO, ½" NPT conduit entries, black enclosure. With Stainless Steel bracket suitable for 80X30 tapping and for 20mm pinion height.

## DXLW2 - Weather Proof Cylindrical Prox Switch

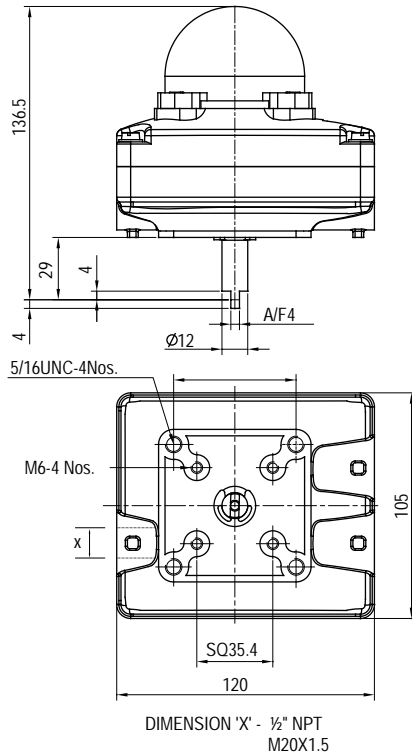
### MATERIAL OF CONSTRUCTION

20	COVER FOR MICROSWITCH	1	POLYAMIDE
19	'O' RING	1	NBR
18	CIRCUIT BOARD	1	-
17	'O' RING	1	NBR
16	PAD	1	POLYAMIDE
15	SPRING	1	STAINLESS STEEL
14	'E' TYPE CIRCLIP	1	SPRING STEEL
13	NON FALLING SCREW	4	STAINLESS STEEL
12	SCREW FOR MICROSWITCH	2	STAINLESS STEEL
11	GASKET	1	NBR
10	INDICATOR COVER	1	POLYCARBONATE
9	INDICATOR	1	ABS PLASTIC
8	THREE WAY TERMINAL BLOCK	4	-
7	PROXIMITY SENSOR	2	P & F, iFM
6	SPRING DOWEL	2	SPRING STEEL
5	SHAFT	1	STAINLESS STEEL
4	CAM-LOCK	2	DELIRIN
3	CAM	2	POLYCARBONATE
2	COVER	1	ALUMINUM ALLOY LM-6
1	HOUSING	1	ALUMINUM ALLOY LM-6
S.NO.	DESCRIPTION	QTY.	MATERIAL

### CROSS SECTION



### DIMENSION DETAILS



### WIRING DIAGRAM

