

DXLW3 - Weather Proof Flat Type Prox Switch

With Option for Intrinsically Safe Switch



CE, EEx ia

FEATURES

- Intrinsically safe
- Flat type inductive proximity sensors (EExia)
- Aluminum die cast enclosure, powder coated for superior corrosion resistance
- Weather proof enclosure to IP67
- Enclosure Certified by UL to UL50S, UL File No. E249752
- Polycarbonate Dome, Shatterproof
- Red and Yellow Indicator
- Color coded cams easy to identify, and easy to set
- Serrated cams locked together ensures adjusted settings secured against any vibration
- Special circuit board eliminates internal wiring
- Circuit board laminated for complete corrosion protection
- Solenoid termination inside the switch box is standard
- Three conduit entries provided as standard
- Conduit entry options: 1/2" NPT, M20 X 1.5
- Complies to Namur mounting standard
- Temperature range 4°F to 146°F
- Bracket available as option



ORDERING OPTIONS

Series	Switch	Qty Switches	Conduit Entry		Color		Bracket	Certificate
DXLW		1	4R	1/2" NPT	B	Black	U	CU _L , UL _L
		2	3M	M20X1.5	Y	Yellow	C	CE

CODE	MAKE	MODEL	RATING
3A	P & F	NJ2 V3N	8 VDC, 3mA, NC IS
13A	P & F	NBB3 V3 Z4	10-60VDC, 100mA, NO
3C	lfm	IS 5026	24V, 200 mA, NO/NC
13C	lfm	NS 5002	8 VDC, NO/NC IS
23C	lfm	IN 0073	24VDC, 150mA, NO/NC

Refer to Bracket Selection Page

ORDERING EXAMPLE

- DXLW-13A2-4RY-BKS1-U
- **UL** approved, Weather proof box provided with (2) PEPPERL+FUCHS flat switches, DC output, each with one NO, 1/2" NPT conduit entries, yellow enclosure. With Stainless Steel bracket suitable for 80X30 tapping and for 20mm pinion height.

VERSATILE LIMITSWITCH

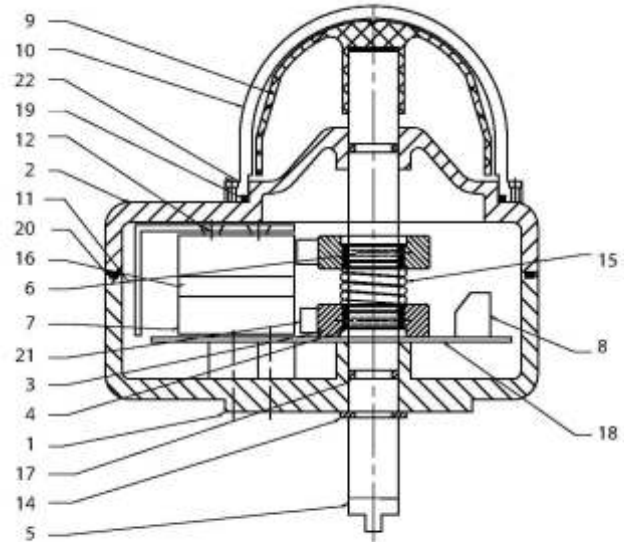


DXLW3 - Weather Proof Flat Type Prox Switch

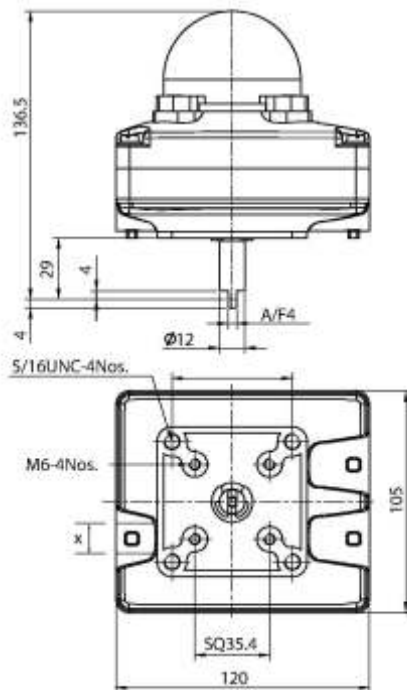
MATERIALS OF CONSTRUCTION

22	PHILIPS HEAD SCREW	2	STAINLESS STEEL
21	CAP FOR SENSOR	2	STAINLESS STEEL
20	COVER FOR MICROSWITCH	1	POLYAMIDE
19	O RING	1	NBR
18	CIRCUIT BOARD	1	-
17	O RING	2	NBR
16	PAD	1	POLYAMIDE
15	SPRING	1	STAINLESS STEEL
14	'E' TYPE CIRCLIP	1	SPRING STEEL
13	NONFALLING SCREW	2	STAINLESS STEEL
12	SCREW FOR MICROSWITCH	2	STAINLESS STEEL
11	GASKET	1	NBR
10	INDICATOR COVER	1	POLYCARBONATE
9	INDICATOR	1	ABS PLASTIC
8	THREE WAY TERMINAL BLOCK	2	-
7	PROXIMITY SENSOR	2	P&F ,ifm
6	SPRING DOWEL	2	SPRING STEEL
5	SHAFT	1	STAINLESS STEEL
4	CAM-LOCK	2	DELTRIN
3	CAM	2	POLYCARBONATE
2	COVER	1	ALUMINUM ALLOY LM-6
1	HOUSING	1	ALUMINUM ALLOY LM-6
S.NO.	DESCRIPTION	QTY.	MATERIAL

CROSS SECTION



DIMENSION DETAILS



DIMENSION 'X' OPTIONS: ½" NPT
M20 X 1.5

WIRING DIAGRAM

